

Adeo Screen's innovative in-ceiling model InSuperior FTS, with newly designed casing that can be integrated into a ceiling or false ceiling, features the new tensioning system with double lower bar and patented FTS™ Floating Tensio System.

A weight-efficient structure that eliminates deformation of the roller assembly structure allows to use more rigid fabrics and in larger sizes, offering the option of longer custom drop combinations.

This screen solution also allows a more convenient and quick installation thanks to the improved new installation brackets and the new lateral cover with magnets system. In addition the casing is provided with new safety cables.

See page **76**
for Technical data



Case and installation system detail ▲



InSuperior end plates ▲



FTS™ Patented superior floating tensioning system

Tensioning system consisting of a double lower bar and tensioning cables. Lower bar consist of two weights, one of which is responsible for the vertical force of the material and the other associated with the tensioning cable system is responsible for the flatness of the material horizontally.

Create your own screen with the PSS

- > **Personalized dimensions:** width and height
- > **Motor type:** standard motor or radio integrated motor (optional)
- > **Case:** available only with case
- > **Case color:** standard in White Emboss. Optional in any other color for an extra cost
- > **Standard Drop:** from 5 to 140 cm
- > **Projection surface fall:** back (standard), front or reverse-roll (optional)
- > **Side of command/motor:** right only

Projection Surfaces (see page 6)

- > Reference White 2 / Reference Grey 2 / Reference White 2 Acoustik / Reference Grey 2 Acoustik
- > Ambient Grey 2 / Ambient Grey
- > Vision White / Vision White Pro
- > Vision Acoustik
- > Vision Rear DB available only without black borders

Standard Accessories

- > Kit containing eight 50 cm threaded bars for installation with maximum height of 1 m
- > Unipolar switch
- > Remote control (only for radio integrated version)
- > End plates for closing the plasterboard

Optional Accessories

- > Interface to drive the screen in radio frequency with remote control (not included), 12V trigger, unipolar switch, dry contact or RS232
- > Receiver and RF remote control
- > Extension brackets for screens up to 60 cm

PSS Formats

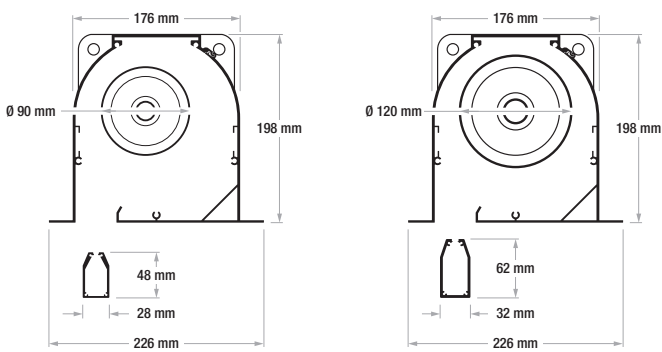
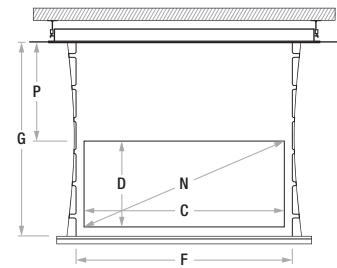
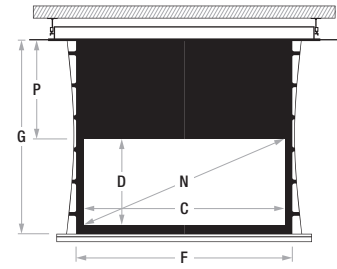
1.33:1	1.60:1	1.78:1	2.35:1	2.37:1	2.40:1
--------	--------	--------	--------	--------	--------

4:3 16:10 16:9 21:9

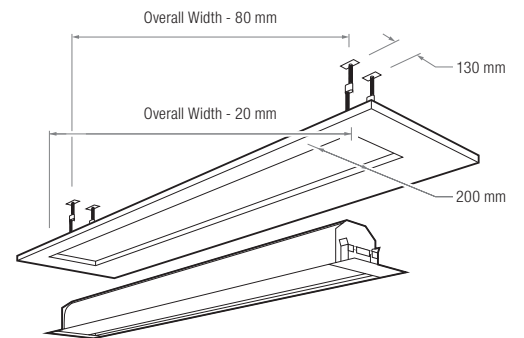
InSuperior FTS Floating Tensio System 50 mm borders

Aspect ratio	Viewing Width	Viewing Height	Diagonal Inches	Surface Width	Surface Height	Standard Drop	Total Maximum Drop	Packaging Dimensions	Net Weight	Gross Weight
	C	D	N	F	G	P	mm	mm	kg	kg
1,33 (4:3)	2000	1504	99	2100	1604	50	1400	2540x340x460	61	71
	2500	1880	123	2600	1980	50	1400	3100x340x460	71	81
	3000	2256	148	3100	2356	50	1400	3669x340x460	79	90
	3500	2632	172	3600	2782	100	1400	4216x340x460	87	99
	4000	3008	197	4100	3158	100	1200	4808x340x460	93	106
	4500	3383	222	4600	3533	100	500	5400x340x460	110	123
1,60 (16:10)	2000	1250	93	2100	1350	50	1400	2511x340x460	61	71
	2500	1563	116	2600	1663	50	1400	3049x340x460	71	81
	3000	1875	139	3100	1975	50	1400	3599x340x460	79	90
	3500	2188	162	3600	2338	100	1400	4133x340x460	87	99
	4000	2500	186	4100	2650	100	1200	4699x340x460	93	106
	4500	2813	209	4600	2963	100	1200	5264x340x460	110	123
1,78 (16:9)	2000	1124	90	2100	1224	50	1400	2495x340x460	61	71
	2500	1404	113	2600	1504	50	1400	3026x340x460	71	81
	3000	1685	135	3100	1785	50	1400	3567x340x460	79	90
	3500	1966	158	3600	2116	100	1400	4096x340x460	87	99
	4000	2247	181	4100	2397	100	1400	4651x340x460	93	106
	4500	2528	203	4600	2678	100	1400	5205x340x460	110	123
2,35 (21:9)	2000	851	86	2100	951	50	1400	2465x340x460	61	71
	2500	1064	107	2600	1164	50	1400	2984x340x460	71	81
	3000	1277	128	3100	1377	50	1400	3509x340x460	79	90
	3500	1489	150	3600	1639	100	1400	4027x340x460	87	99
	4000	1702	171	4100	1852	100	1400	4563x340x460	93	106
	4500	1915	193	4600	2065	100	1400	5095x340x460	110	123
2,37	2000	844	85	2100	944	50	1400	2375x340x460	61	71
	2500	1055	107	2600	1155	50	1400	2893x340x460	71	81
	3000	1266	128	3100	1366	50	1400	3418x340x460	79	90
	3500	1477	150	3600	1577	100	1400	3936x340x460	87	99
	4000	1688	171	4100	1838	100	1400	4471x340x460	93	106
	4500	1899	192	4600	2049	100	1400	5002x340x460	110	123
2,40	2000	833	85	2100	933	50	1400	2374x340x460	61	71
	2500	1042	107	2600	1142	50	1400	2891x340x460	71	81
	3000	1250	128	3100	1350	50	1400	3413x340x460	79	90
	3500	1458	149	3600	1558	100	1400	3933x340x460	87	99
	4000	1667	171	4100	1817	100	1400	4468x340x460	93	106
	4500	1875	192	4600	2025	100	1400	4999x340x460	110	123

Custom sizes are available upon request



In certain circumstances, due to the surface's height, it is necessary to use a case with the rolling tube of 120 mm.



Surface Fireproof Certifications