



Max Inceel is a large size in-ceiling motorized screen specially designed for mounting in false ceiling and be visible only when it is in use, representing an aesthetical and functional innovative solution.

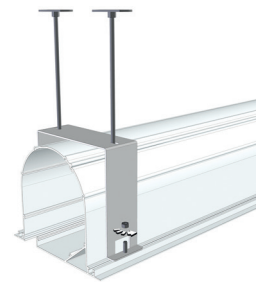
Mainly suitable for big size rooms, it is available up to size of 6.5 meters of projection viewing area without black borders in format 16:9, 16:10 and 21:9. Heavy duty powder-coated aluminum case in white wrinkle pattern finish equipped with a very easy mounting system that simplifies all the installations stages, making this product user friendly, considering the remarkable size.

Max Inceel can be equipped with two different fixing system, according to the installation needs.

Fixing system for installations in false ceilings, which won't be accessible from the inside.



Fixing system for installations in false ceilings, which won't be accessible from the inside.



Fixing system for installations in false ceilings, which will be accessible from the inside.

See page **81** for Technical data

Create your own screen with the PSS

- > **Personalized dimensions:** width and height
- > **Motor type:** standard motor
- > **Case:** available only with case
- > **Case color:** standard in White Grinz. Optional in any other color for an extra cost
- > **Projection surface fall:** back (standard), front or reverse-roll (optional)
- > **Side of command/motor:** right only

Projection Surfaces (see page 6)

- > Vision White
- > Vision Acoustik / Vision Macro Acoustik

Standard Accessories

- > Kit containing eight 50 cm threaded bars for installation with maximum height of 1 m
- > Unipolar switch
- > End plates for closing the plasterboard

Optional Accessories

- > Interface to drive the screen in radio frequency with remote control (not included), 12V trigger, unipolar switch, dry contact or RS232
- > Receiver and infrared remote control
- > Extension brackets for screens up to 60 cm

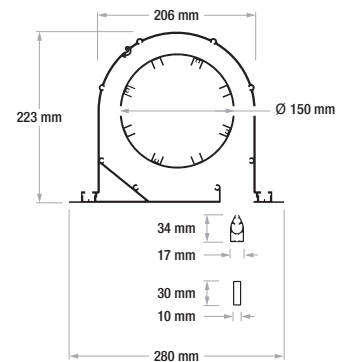
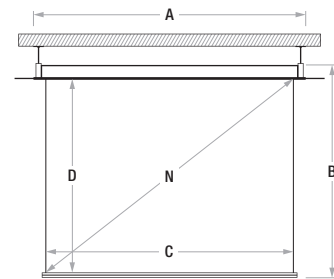
PSS Formats

1:1	1.33:1	1.60:1	1.78:1	2.35:1	2.37:1	2.40:1
	4:3	16:10	16:9	21:9		

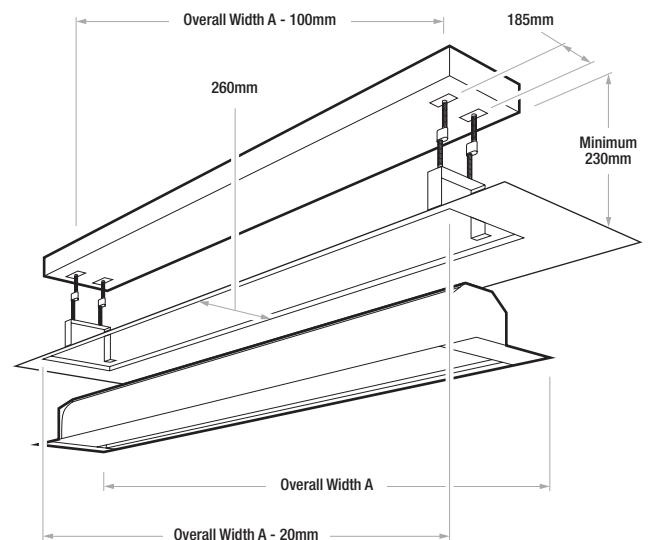
Max Inceel Without borders

Aspect ratio	Viewing Width	Viewing Height	Diagonal Inches	Overall Width	Overall Height	Packaging Dimensions	Net Weight	Gross Weight
	C	D	N	A	B			
1,00 (1:1)	5000	5000	278	5200	5257	5380X320X290	80	105
	5500	3759	246	5200	4016	5380X320X290	76	101
	6000	4135	271	5700	4392	5880X320X290	84	109
1,33 (4:3)	6000	4511	296	6200	4768	6380X320X290	92	117
	6500	4887	320	6700	5144	6880X320X290	103	123
	5000	3125	232	5200	3382	5380X320X290	74	99
1,6 (16:10)	5500	3438	255	5700	3695	5880X320X290	82	107
	6000	3750	279	6200	4007	6380X320X290	90	115
	6500	4063	302	6700	4320	6880X320X290	101	126
1,78 (16:9)	5000	2809	226	5200	3066	5380X320X290	74	99
	5500	3090	248	5700	3347	5880X320X290	82	107
	6000	3371	271	6200	3628	6380X320X290	90	115
2,35 (21:9)	6500	3652	294	6700	3909	6880X320X290	101	126
	5000	2128	214	5200	2385	5380X320X290	73	98
	5500	2340	235	5700	2597	5880X320X290	81	106
2,37	6000	2532	257	6200	2810	6380X320X290	89	114
	6500	2766	278	6700	3023	6880X320X290	100	125
	5000	2110	214	5200	2367	5380X320X290	73	98
2,39	5500	2321	235	5700	2578	5880X320X290	81	106
	6000	2532	256	6200	2789	6380X320X290	89	114
	6500	2743	278	6700	3000	6880X320X290	100	125
2,40	5000	2092	213	5200	2349	5380X320X290	73	98
	5500	2301	235	5700	2558	5880X320X290	81	106
	6000	2510	256	6200	2767	6380X320X290	89	114
	6500	2720	277	6700	2977	6880X320X290	100	125
	5000	2083	213	5200	2340	5380X320X290	73	98
	5500	2292	235	5700	2549	5880X320X290	81	106
	6000	2500	256	6200	2757	6380X320X290	89	114
	6500	2708	277	6700	2965	6880X320X290	100	125

Custom sizes are available upon request



30 mm lower bar is used on screens with viewing width of 6500 mm



Surface Fireproof Certifications