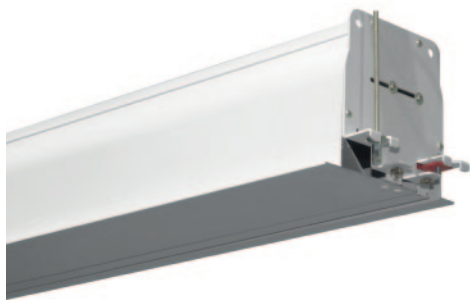


Adeo Screen's innovative in-ceiling model InSuperior FTS, with newly designed casing that can be integrated into a ceiling or false ceiling, features the new tensioning system with double lower bar and patented FTS™ Floating Tensio System.

A weight-efficient structure that eliminates deformation of the roller assembly structure allows to use more rigid fabrics and in larger sizes, offering the option of longer custom drop combinations.

This screen solution also allows a more convenient and quick installation thanks to the improved new installation brackets and the new lateral cover with magnets system. In addition the casing is provided with new safety cables.

See page **84**
for Technical data



Case and installation system detail ▲



InSuperior end plates ▲



FTS™ Patented superior floating tensioning system

Tensioning system consisting of a double lower bar and tensioning cables. Lower bar consist of two weights, one of which is responsible for the vertical force of the material and the other associated with the tensioning cable system is responsible for the flatness of the material horizontally.

Create your own screen with the PSS

- > **Personalized dimensions:** width and height
- > **Motor type:** standard or radio integrated (optional)
- > **Case:** available only with case
- > **Case color:** standard in white. Optional in any other color for an extra cost
- > **Standard Drop:** from 5 to 140 cm
- > **Projection surface fall:** back (standard), front or reverse-roll (optional)
- > **Side of command/motor:** right only

Projection Surfaces (see page 6)

- > VisionWhite / VisionWhitePro
- > AmbientGrey / HeliosWhite
- > ReferenceWhite / ReferenceGrey
- > VisionAcoustik
- > VisionRear DB and VisionRear, only without black borders

Standard Accessories

- > Kit containing eight 50 cm threaded bars for installation with maximum height of 1 m
- > Unipolar selector switch
- > Remote control (only for radio-integrated version)
- > End plates for closing the plasterboard

Optional Accessories

- > Extension brackets for screens up to 60 cm
- > Receiver and RF remote control for motorized screen (3 modalities: basic, automatic and compatible with domotic systems)
- > Receiver and RF remote control

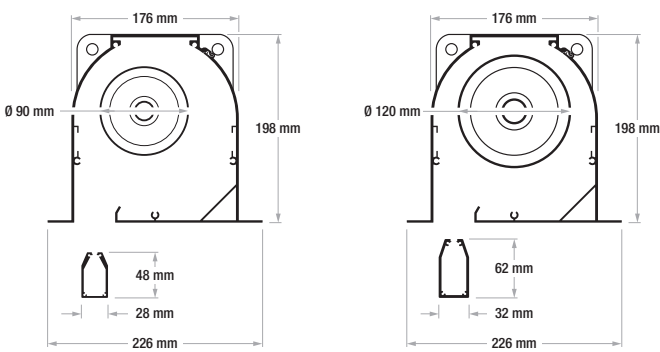
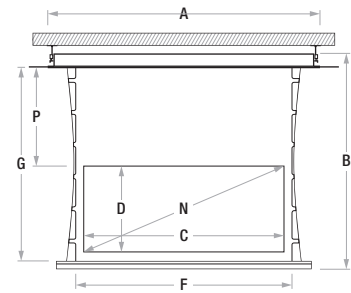
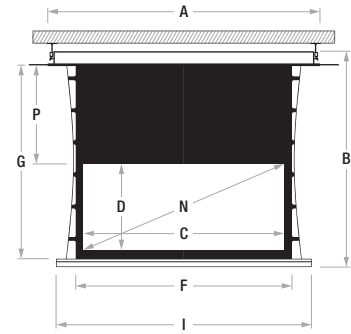
PSS Formats

1.33:1 1.60:1 1.78:1 2.35:1 2.37:1 2.40:1

4:3 16:10 16:9 21:9

InSuperior FTS Floating Tensio System 50 mm borders

Aspect Ratio	Viewing Width	Viewing Height	Diagonal Inches	Surface Width	Surface Height	Standard Drop	Lower Bar Length	Total Maximum Drop	Packaging Dimensions	Net Weight	Gross Weight
	C	D	N	F	G	P	I	mm	mm	kg	kg
1,33 (4:3)	2000	1504	99	2280	1604	50	2302	1400	2540x340x460	61	71
	2500	1880	123	2830	1980	50	2851	1400	3100x340x460	71	81
	3000	2256	148	3400	2356	50	3406	1400	3669x340x460	79	90
	3500	2632	172	3960	2782	100	3964	1400	4216x340x460	87	99
	4000	3008	197	4540	3158	100	4535	1200	4808x340x460	93	106
4500	3383	222	5120	3533	100	5115	500	5400x340x460	110	123	
1,60 (16:10)	2000	1250	93	2260	1350	50	2275	1400	2511x340x460	61	71
	2500	1563	116	2790	1663	50	2809	1400	3049x340x460	71	81
	3000	1875	139	3330	1975	50	3347	1400	3599x340x460	79	90
	3500	2188	162	2890	2338	100	3892	1400	4133x340x460	87	99
	4000	2500	186	4440	2650	100	4441	1200	4699x340x460	93	106
4500	2813	209	5000	2963	100	4997	1200	5264x340x460	110	123	
1,78 (16:9)	2000	1124	90	2240	1224	50	2264	1400	2495x340x460	61	71
	2500	1404	113	2770	1504	50	2791	1400	3026x340x460	71	81
	3000	1685	135	3310	1785	50	3321	1400	3567x340x460	79	90
	3500	1966	158	3860	2116	100	3861	1400	4096x340x460	87	99
	4000	2247	181	4400	2397	100	4401	1400	4651x340x460	93	106
4500	2528	203	4950	2678	100	4946	1400	5205x340x460	110	123	
2,35 (21:9)	2000	851	86	2220	951	50	2242	1400	2465x340x460	61	71
	2500	1064	107	2740	1164	50	2758	1400	2984x340x460	71	81
	3000	1277	128	3260	1377	50	3275	1400	3509x340x460	79	90
	3500	1489	150	3800	1639	100	3804	1400	4027x340x460	87	99
	4000	1702	171	4330	1852	100	4328	1400	4563x340x460	93	106
4500	1915	193	4850	2065	100	4854	1400	5095x340x460	110	123	
2,37	2000	844	85	2220	944	50	2242	1400	2375x340x460	61	71
	2500	1055	107	2740	1155	50	2758	1400	2893x340x460	71	81
	3000	1266	128	3260	1366	50	3275	1400	3418x340x460	79	90
	3500	1477	150	3800	1577	100	3804	1400	3936x340x460	87	99
	4000	1688	171	4330	1838	100	4328	1400	4471x340x460	93	106
4500	1899	192	4850	2049	100	4854	1400	5002x340x460	110	123	
2,40	2000	833	85	2220	933	50	2242	1400	2374x340x460	61	71
	2500	1042	107	2740	1142	50	2758	1400	2891x340x460	71	81
	3000	1250	128	3260	1350	50	3275	1400	3413x340x460	79	90
	3500	1458	149	3800	1558	100	3804	1400	3933x340x460	87	99
	4000	1667	171	4330	1817	100	4328	1400	4468x340x460	93	106
4500	1875	192	4850	2025	100	4854	1400	4999x340x460	110	123	



In certain circumstances, due to the surface's height, it is necessary to use a case with the rolling tube of 120 mm.

