

Biformat Tensio is a screen designed to meet even the highest expectations in the home cinema market. This is achieved thanks to a technical profile and a unique tensioning system. Inside the same case are two distinct projection surfaces of different formats, bordered with special non-varnished anti-reflective black edges. These enable to enhance the contrast of the projected image much more effectively than traditional 3 cm edges.

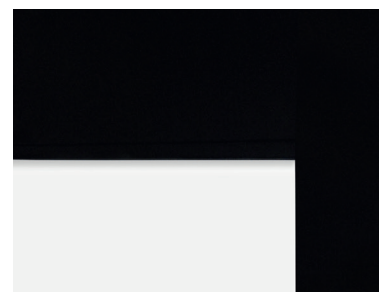
In addition to being positioned in direct contact with each other, to avoid focus loss, the projection surfaces are fixed to the roller, in such a way as to eliminate all risks of annoying horizontal crease marks. Furthermore, the front drop of the surface and the vertical alignment of the rollers ensure planarity. The motorized rolling is controlled through a wall-mounted switch or an integrated radio receiver.

The case is white (RAL 9016), with brushed aluminium lateral ends, which completely mask the screws. Owing to the practical anchoring system, use is immediately possible.

All you need to do is choose among the available formats:

- > 1.33 NTSC PAL 4:3
- > 1.78 HDTV 16:9
- > 2.35 Cinemascope 21:9

All of them boast perfect tensioning, thanks to the classic tensioning system. Two elastic cables depart from the base and are threaded through dedicated same-size eyelets, placed along the sides of the screen: the arch that forms laterally ensures a harmonious aesthetic impact and a crease-free rolling, despite the presence of the eyelets.



See page **83** for Technical data

**Create your own screen with the PSS**

- > **Personalized dimensions:** width
- > **Motor type:** standard motor
- > **Case:** available only with case
- > **Case color:** standard in White Gloss. Optional in any other color for an extra cost
- > **Standard Drop:** from 10 to 40 cm
- > **Projection surface fall:** front only
- > **Side of command/motor:** right only
- > **Special option:** Deco Print

**Projection Surfaces** (see page 6)

- > ReferenceWhite 2 / ReferenceGrey 2
- > AmbientGrey 2 / AmbientGrey
- > VisionWhite / VisionWhitePro
- > VisionAcoustik / VisionMacroAcoustik
- > VisionAcoustik / VisionMacroAcoustik, only without black borders

**Standard Accessories**

- > Kit with wall or ceiling mount brackets
- > 2 unipolar switches

**Optional Accessories**

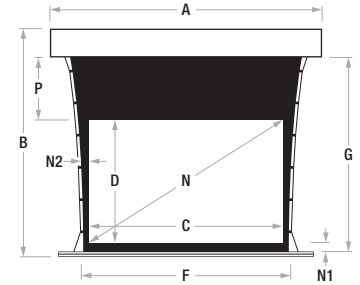
- > 2 Interfaces to drive the screen in radio frequency with remote control 2 channels (not included), 12V trigger, unipolar switch, dry contact or RS232
- > Receiver and infrared remote control
- > Extension brackets for screens up to 60 cm

**PSS Formats**

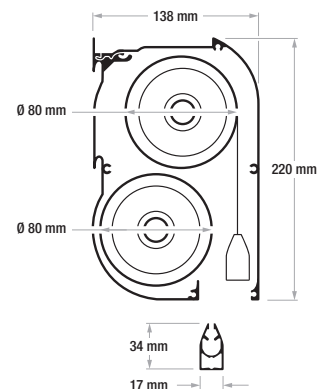
1.33:1	1.78:1	2.35:1
4:3	16:9	21:9

## Biformat Tensio Classic 50 mm borders

	Max Viewing Width	Max Viewing Height	Max Overall Width	Max Overall Height	Max Surface Width	Max Surface Height	Standard Drop	Total Maximum Drop	Packaging Dimensions	Net Weight	Gross Weight
	C	D	A	B	F	G	P	mm	mm	kg	kg
Biformat	1830	1830	2250	2234	1930	1980	100	400	1838x300x330	34	39
	2080	2080	2500	2484	2180	2230	100	400	2088x300x330	40	45
	2330	2330	2750	2734	2430	2480	100	400	2338x300x330	47	52
	2580	2580	3000	2984	2680	2730	100	400	2588x300x330	55	60
	2830	2830	3250	3234	2930	2980	100	400	2838x300x330	58	63
	3080	3080	3500	3484	3180	3230	100	400	3088x300x330	60	65



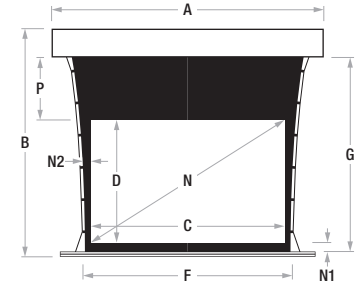
Configuration Examples	Native Format	Ratio	Net Surface Width		Diagonal Inches	Standard Drop	Bottom Black Border		2° Format	Ratio	Net Surface Width		Diagonal Inches	Standard Drop	Bottom Black Border	
			C	D			N	P			N1	N2			C	D
2250	4:3	1,33	1830	1376	90	100	50	50	16:9	1,78	1830	1028	83	274	50	50
	4:3	1,33	1830	1376	90	100	50	50	21:9	2,35	1830	779	78	399	50	50
	16:9	1,78	1830	1028	83	100	50	50	21:9	2,35	1830	779	78	225	50	50
	16:9	1,78	1830	1028	83	100	50	50	4:3	1,33	1367	1028	67	100	50	281
	21:9	2,35	1830	779	78	100	50	50	16:9	1,78	1386	779	63	100	50	272
	21:9	2,35	1830	779	78	100	50	50	4:3	1,33	1036	779	51	100	50	447
2500	4:3	1,33	2080	1564	102	100	50	50	16:9	1,78	2080	1169	94	298	50	50
	4:3	1,33	2080	1564	102	100	50	50	21:9	2,35	2080	885	89	439	50	50
	16:9	1,78	2080	1169	94	100	50	50	21:9	2,35	2080	885	89	242	50	50
	16:9	1,78	2080	1169	94	100	50	50	4:3	1,33	1554	1169	77	100	50	313
	21:9	2,35	2080	885	89	100	50	50	16:9	1,78	1575	885	71	100	50	302
	21:9	2,35	2080	885	89	100	50	50	4:3	1,33	1177	885	58	100	50	501
2750	4:3	1,33	2330	1752	115	100	50	50	16:9	1,78	2330	1309	105	321	50	50
	4:3	1,33	2330	1752	115	100	50	50	21:9	2,35	2330	991	100	480	50	50
	16:9	1,78	2330	1309	105	100	50	50	21:9	2,35	2330	991	100	259	50	50
	16:9	1,78	2330	1309	105	100	50	50	4:3	1,33	1741	1309	86	100	50	345
	21:9	2,35	2330	991	100	100	50	50	16:9	1,78	1765	991	80	100	50	333
	21:9	2,35	2330	991	100	100	50	50	4:3	1,33	1319	991	65	100	50	556
3000	4:3	1,33	2580	1940	127	100	50	50	16:9	1,78	2580	1449	117	345	50	50
	4:3	1,33	2580	1940	127	100	50	50	21:9	2,35	2580	1098	110	519	50	50
	16:9	1,78	2580	1449	117	100	50	50	21:9	2,35	2580	1098	110	276	50	50
	16:9	1,78	2580	1449	117	100	50	50	4:3	1,33	1928	1449	95	100	50	376
	21:9	2,35	2580	1098	110	100	50	50	16:9	1,78	1954	1098	88	100	50	363
	21:9	2,35	2580	1098	110	100	50	50	4:3	1,33	1460	1098	72	100	50	610
3250	4:3	1,33	2830	2128	139	100	50	50	16:9	1,78	2830	1590	128	367	50	50
	4:3	1,33	2830	2128	139	100	50	50	21:9	2,35	2830	1204	121	562	50	50
	16:9	1,78	2830	1590	128	100	50	50	21:9	2,35	2830	1204	121	293	50	50
	16:9	1,78	2830	1590	128	100	50	50	4:3	1,33	2115	1590	104	100	50	408
	21:9	2,35	2830	1204	121	100	50	50	16:9	1,78	2144	1204	97	100	50	393
	21:9	2,35	2830	1204	121	100	50	50	4:3	1,33	1602	1204	79	100	50	664
3500	4:3	1,33	3080	2316	152	100	50	50	16:9	1,78	3080	1730	139	393	50	50
	4:3	1,33	3080	2316	152	100	50	50	21:9	2,35	3080	1311	132	603	50	50
	16:9	1,78	3080	1730	139	100	50	50	21:9	2,35	3080	1311	132	310	50	50
	16:9	1,78	3080	1730	139	100	50	50	4:3	1,33	2301	1730	114	100	50	439
	21:9	2,35	3080	1311	132	100	50	50	16:9	1,78	2333	1311	105	100	50	424
	21:9	2,35	3080	1311	132	100	50	50	4:3	1,33	1743	1311	86	100	50	718



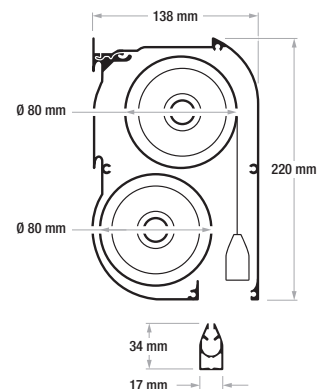
Surface Fireproof Certifications

**Biformat** Tensio Classic 70 mm borders

	Max Viewing Width	mAX Viewing Height	Max Overall Width	Max Overall Height	Max Surface Width	Max Surface Height	Standard Drop	Total Maximum Drop	Packaging Dimensions	Net Weight	Gross Weight
	C	D	A	B	F	G	P	mm	mm	kg	kg
Biformat	1790	1790	2250	2214	1890	1960	100	400	1798x300x330	34	39
	2040	2040	2500	2464	2140	2210	100	400	2048x300x330	40	45
	2290	2290	2750	2714	2390	2460	100	400	2298x300x330	47	52
	2540	2540	3000	2964	2640	2710	100	400	2548x300x330	55	60
	2790	2790	3250	3214	2890	2960	100	400	2798x300x330	58	63
	3040	3040	3500	3464	3140	3210	100	400	3048x300x330	60	65



Configuration Examples	Native Format	Ratio	Net Surface Width		Diagonal Inches	Standard Drop	Bottom Black Border		Lateral Black Borders		2° Format	Ratio	Net Surface Width		Diagonal Inches	Standard Drop	Bottom Black Border		Lateral Black Borders	
			C	D			N	P	N1	N2			C	D			N	P	N1	N2
2250	4:3	1,33	1790	1346	88	100	70	70	16:9	1,78	1790	1006	81	270	70	70	70	70	70	70
	4:3	1,33	1790	1346	88	100	70	70	21:9	2,35	1790	762	77	392	70	70	70	70	70	70
	16:9	1,78	1790	1006	81	100	70	70	21:9	2,35	1790	762	77	222	70	70	70	70	70	70
	16:9	1,78	1790	1006	81	100	70	70	4:3	1,33	1337	1006	66	100	70	296	70	70	70	70
	21:9	2,35	1790	762	77	100	70	70	16:9	1,78	1356	762	61	100	70	287	70	70	70	70
	21:9	2,35	1790	762	77	100	70	70	4:3	1,33	1013	762	50	100	70	458	70	70	70	70
2500	4:3	1,33	2040	1534	100	100	70	70	16:9	1,78	2040	1146	92	294	70	70	70	70	70	70
	4:3	1,33	2040	1534	100	100	70	70	21:9	2,35	2040	868	87	433	70	70	70	70	70	70
	16:9	1,78	2040	1146	92	100	70	70	21:9	2,35	2040	868	87	239	70	70	70	70	70	70
	16:9	1,78	2040	1146	92	100	70	70	4:3	1,33	1524	1146	75	100	70	328	70	70	70	70
	21:9	2,35	2040	868	87	100	70	70	16:9	1,78	1545	868	70	100	70	317	70	70	70	70
	21:9	2,35	2040	868	87	100	70	70	4:3	1,33	1155	868	57	100	70	513	70	70	70	70
2750	4:3	1,33	2290	1722	113	100	70	70	16:9	1,78	2290	1287	103	318	70	70	70	70	70	70
	4:3	1,33	2290	1722	113	100	70	70	21:9	2,35	2290	974	98	474	70	70	70	70	70	70
	16:9	1,78	2290	1287	103	100	70	70	21:9	2,35	2290	974	98	256	70	70	70	70	70	70
	16:9	1,78	2290	1287	103	100	70	70	4:3	1,33	1711	1287	84	100	70	359	70	70	70	70
	21:9	2,35	2290	974	98	100	70	70	16:9	1,78	1735	974	78	100	70	348	70	70	70	70
	21:9	2,35	2290	974	98	100	70	70	4:3	1,33	1296	974	64	100	70	567	70	70	70	70
3000	4:3	1,33	2540	1910	125	100	70	70	16:9	1,78	2540	1427	115	341	70	70	70	70	70	70
	4:3	1,33	2540	1910	125	100	70	70	21:9	2,35	2540	1081	109	514	70	70	70	70	70	70
	16:9	1,78	2540	1427	115	100	70	70	21:9	2,35	2540	1081	109	273	70	70	70	70	70	70
	16:9	1,78	2540	1427	115	100	70	70	4:3	1,33	1898	1427	93	100	70	391	70	70	70	70
	21:9	2,35	2540	1081	109	100	70	70	16:9	1,78	1924	1081	87	100	70	378	70	70	70	70
	21:9	2,35	2540	1081	109	100	70	70	4:3	1,33	1438	1081	71	100	70	621	70	70	70	70
3250	4:3	1,33	2790	2098	137	100	70	70	16:9	1,78	2790	1567	126	365	70	70	70	70	70	70
	4:3	1,33	2790	2098	137	100	70	70	21:9	2,35	2790	1187	119	555	70	70	70	70	70	70
	16:9	1,78	2790	1567	126	100	70	70	21:9	2,35	2790	1187	119	290	70	70	70	70	70	70
	16:9	1,78	2790	1567	126	100	70	70	4:3	1,33	2085	1567	103	100	70	423	70	70	70	70
	21:9	2,35	2790	1187	119	100	70	70	16:9	1,78	2113	1187	95	100	70	408	70	70	70	70
	21:9	2,35	2790	1187	119	100	70	70	4:3	1,33	1579	1187	78	100	70	675	70	70	70	70
3500	4:3	1,33	3040	2286	150	100	70	70	16:9	1,78	3040	1708	137	389	70	70	70	70	70	70
	4:3	1,33	3040	2286	150	100	70	70	21:9	2,35	3040	1294	130	596	70	70	70	70	70	70
	16:9	1,78	3040	1708	137	100	70	70	21:9	2,35	3040	1294	130	307	70	70	70	70	70	70
	16:9	1,78	3040	1708	137	100	70	70	4:3	1,33	2271	1708	112	100	70	454	70	70	70	70
	21:9	2,35	3040	1294	130	100	70	70	16:9	1,78	2303	1294	104	100	70	439	70	70	70	70
	21:9	2,35	3040	1294	130	100	70	70	4:3	1,33	1721	1294	85	100	70	730	70	70	70	70



Surface Fireproof Certifications